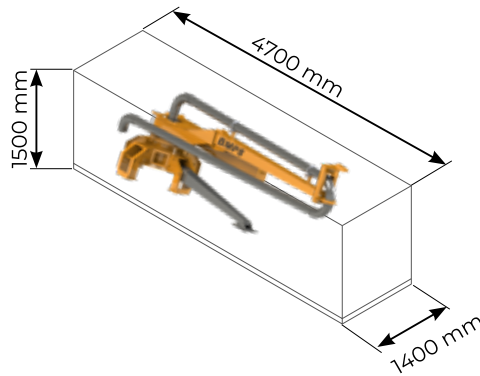
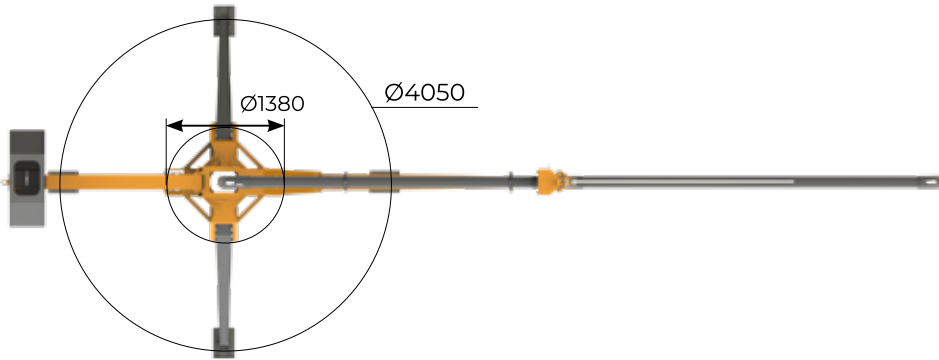
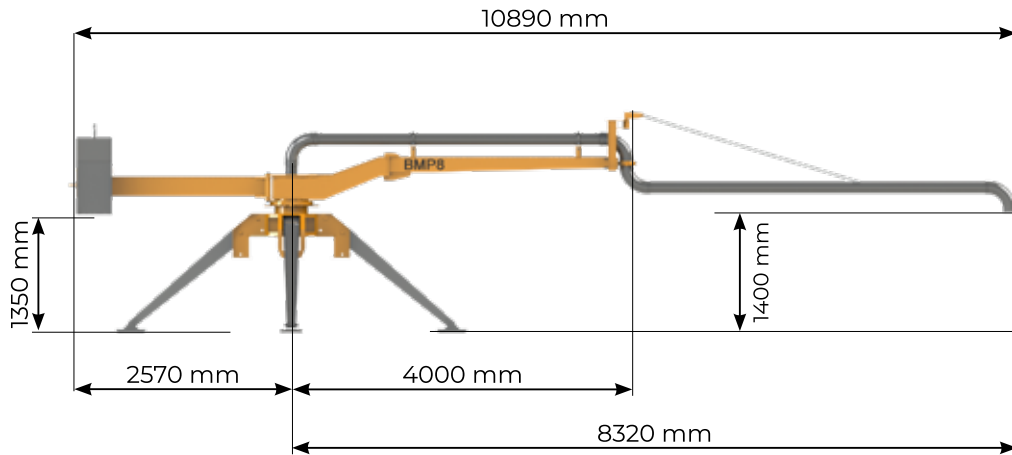


BMP Series

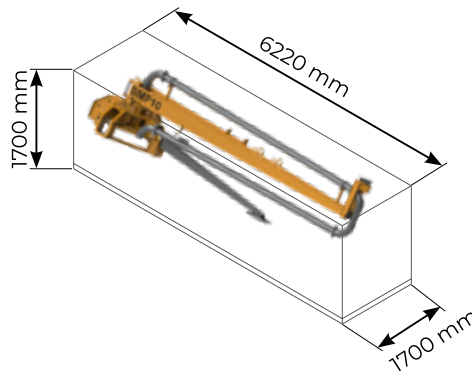
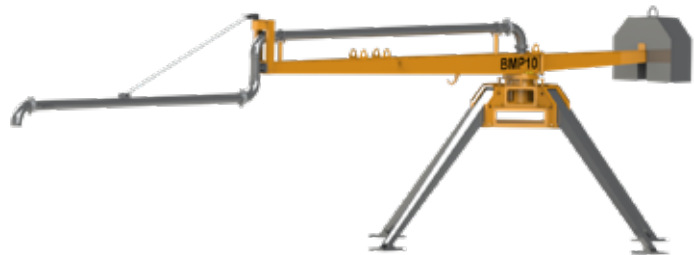
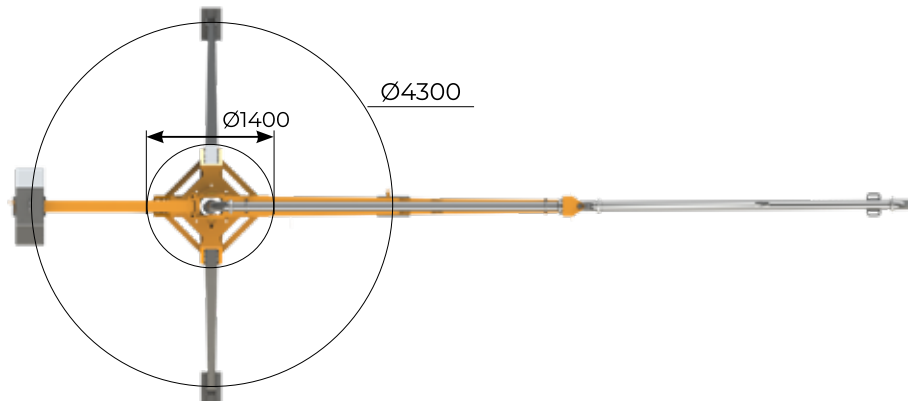
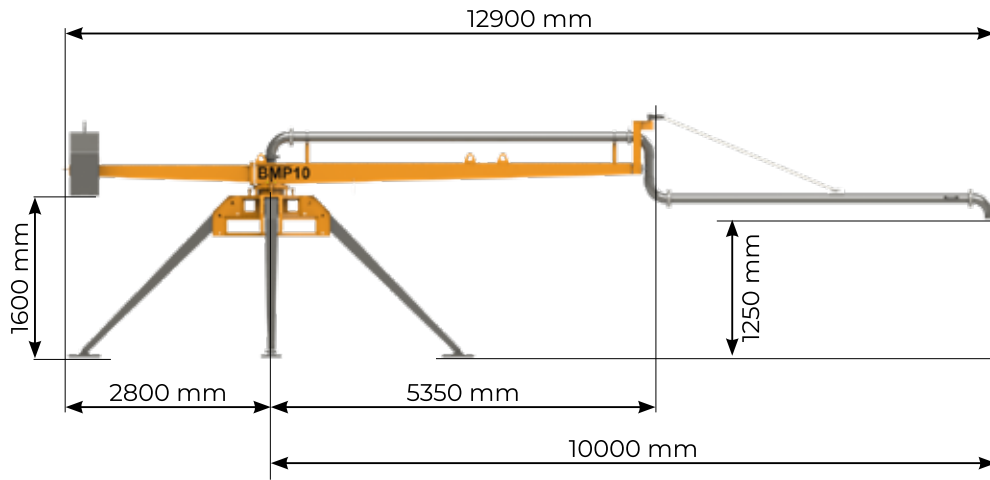
BMP 8



MODELS	Distribution Area	Weights		
		Chassis	Ballast	Total
BMP 8	201 m ²	706 kg	580 kg	1286 kg

BMP Series

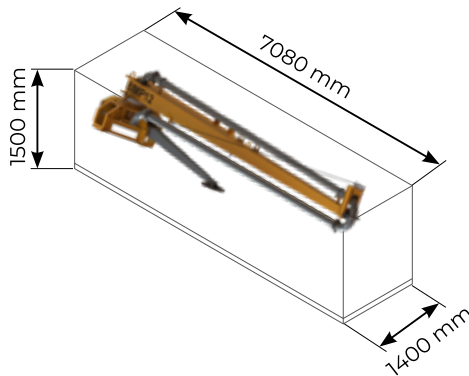
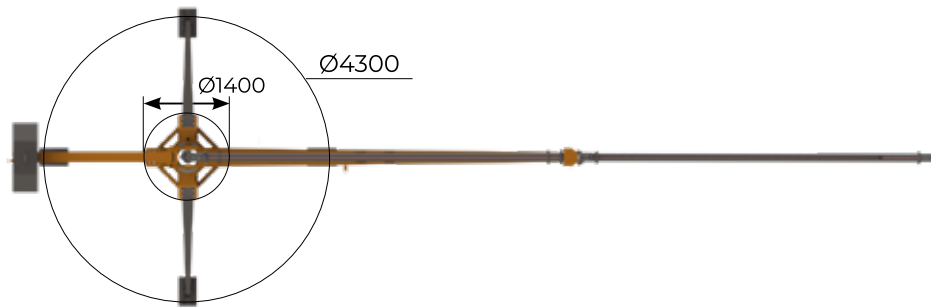
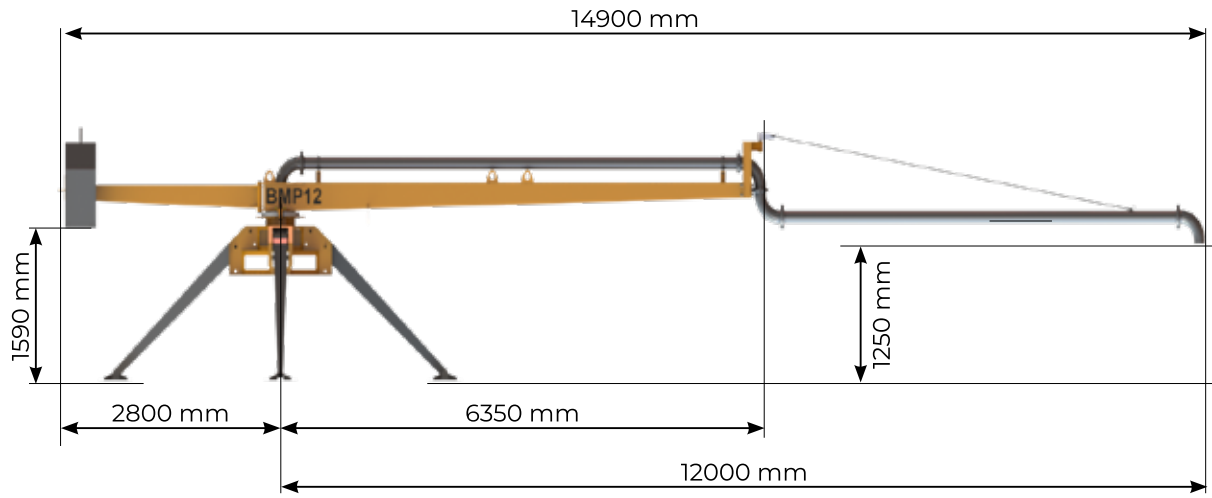
BMP 10



MODELS	Distribution Area	Weights		
		Chassis	Ballast	Total
BMP 10	314 m ²	808 kg	690 kg	1498 kg

BMP Series

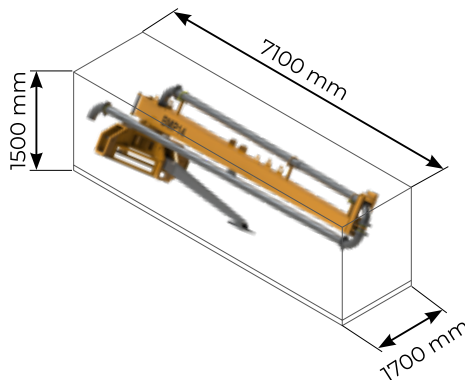
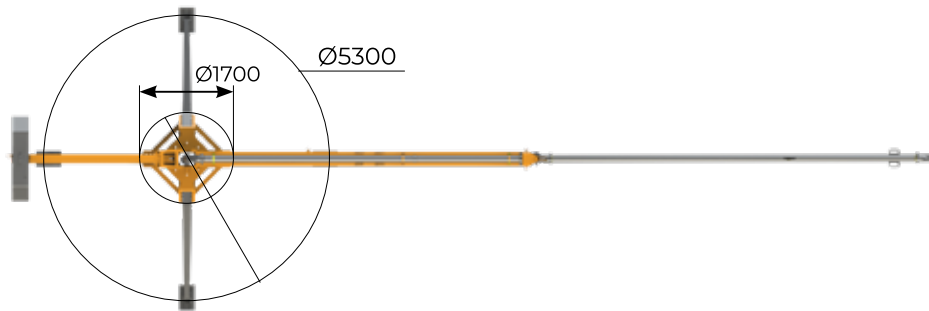
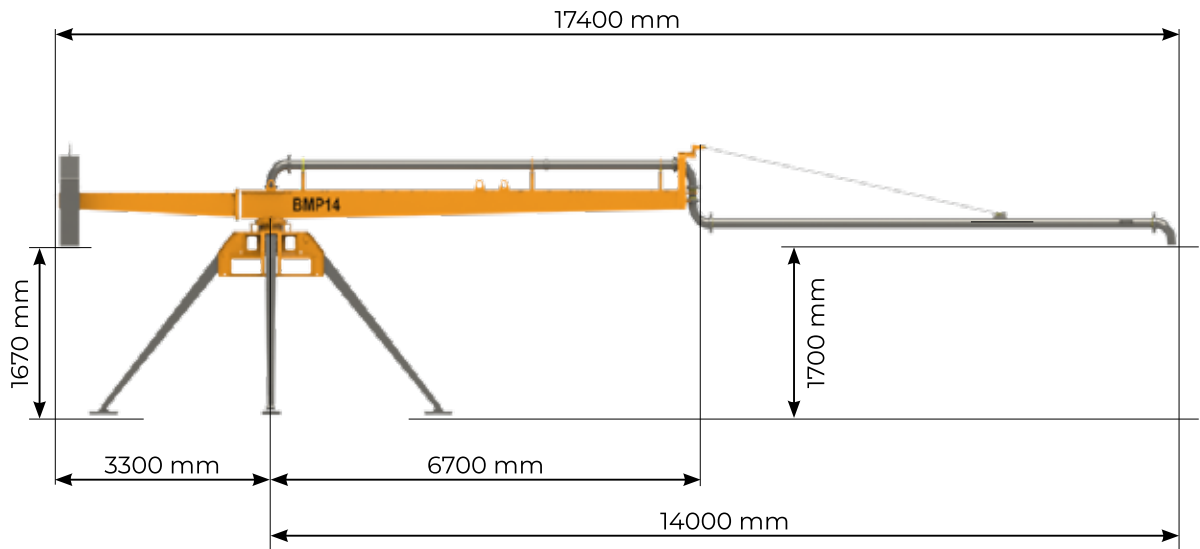
BMP 12



MODELS	Distribution Area	Weights		
		Chassis	Ballast	Total
BMP 12	452 m ²	973 kg	860 kg	1833 kg

BMP Series

BMP 14



MODELS	Distribution Area	Weights		
		Chassis	Ballast	Total
BMP 14	616 m ²	1127 kg	1020 kg	2147 kg